

VERSA

direct PRODUCTS

Seating Products



Simple Modern Elegance

Versa is designed as a basic chair to complement Direct Product's range of ergonomic executive chair.



Comfort

A permeable mesh backrest makes a smart modern look and also functions to provide ventilation for optimal comfort.

Appearance

The integrated back and armrest design makes a sturdy, rigid yet lightweight structure.

Versatility

Versa with a cantilever sled base makes an elegant visitor chair. A four wheeled version comes in handy for seminars or breakout meetings.



Versa has a modern appearance that allow a consistent furnishing image while meeting budget requirements.

Back Frame

Back frame, back caps, and seat shell of polypropylene (100% recyclable) in black color.

Back and Seat Upholstery

100% Hight Tenacity Polyester Mesh. This permeable mesh provides elastic support, yet allowing ventilation for optimal comfort. Seat upholstery in fabric, vinyl or leather on polyurethane foam (recyclable into carpet padding, wadding etc)



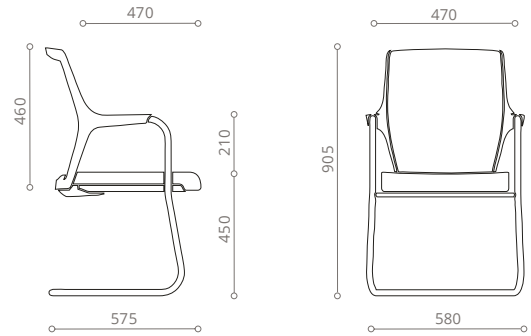
Base

Cantilever sled base of 27mm diameter tubular steel (100% recyclable) in choice of epoxy powder coating or chrome plating, equipped with gildes in black polypropylene (100% recyclable).

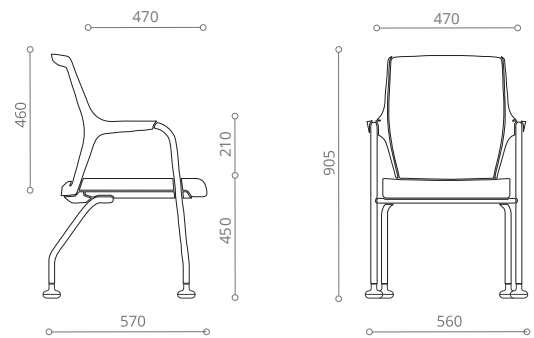
4-leg base of 27mm diameter tubular steel (100% recyclable) in choice of epoxy powder coating or chrome plating, equipped with 50mm diameter dual-wheel castors in black polyamide.

640mm diameter 'STUDIO' base of black polypropylene(100% recyclable), equipped with 50mm diameter dual-wheel castors in black polyamide.

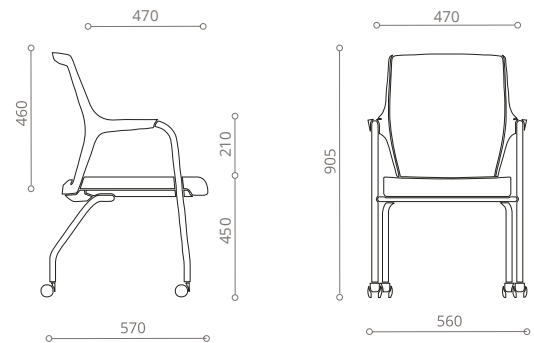
Side Chair
691B NA A67 C



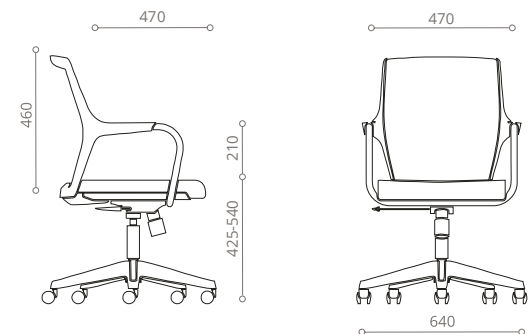
Conference chair
691B NA A67 H



Seminar chair
691B NA A67 H4



Swivel chair
697 B SH A67 N3



Versa: Options
Back Color

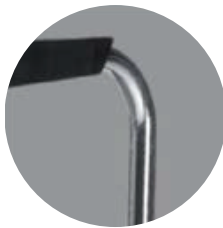


Black
(B)



Grey
(G)

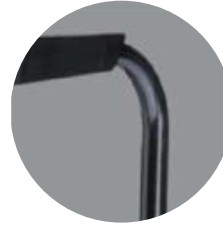
Versa: Options
Base Color



Chrome Plating
(C)



Silver Epoxy
(S)



Black Epoxy
(B)

Fresno: Option



Direct Products Postal

PO Box 1029, Konyung, 3931, Vic, Aus

Direct Products Office

1A / 15 Carbine Way, Mornington, 3931, Vic, Aus

Phil Ellis | Director

Phone: 0412 357 499 | Email: phil@directproducts.net.au

Nick Ellis | Sales Executive

Phone: 0438 006 731 | Email: nick@directproducts.net.au

General Information

Email: sales@directproducts.net.au